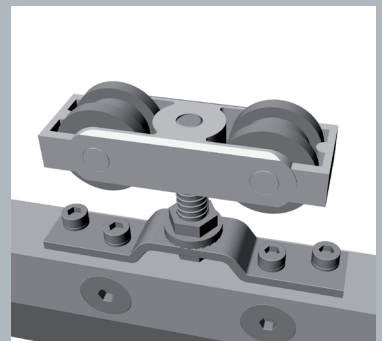
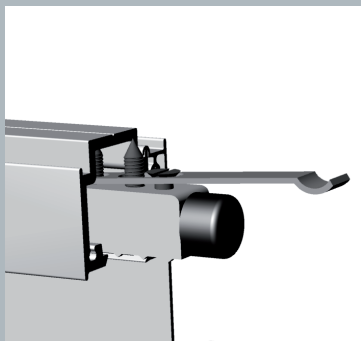
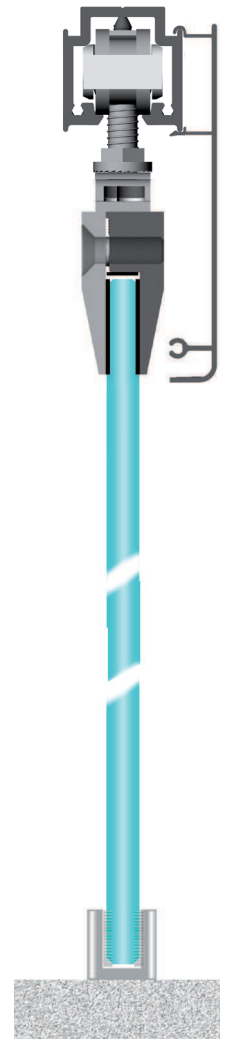




# Eco Slide 60-100







## *Eco Slide 60-100*

for top hung sliding glass doors up to 60kg and 100kg

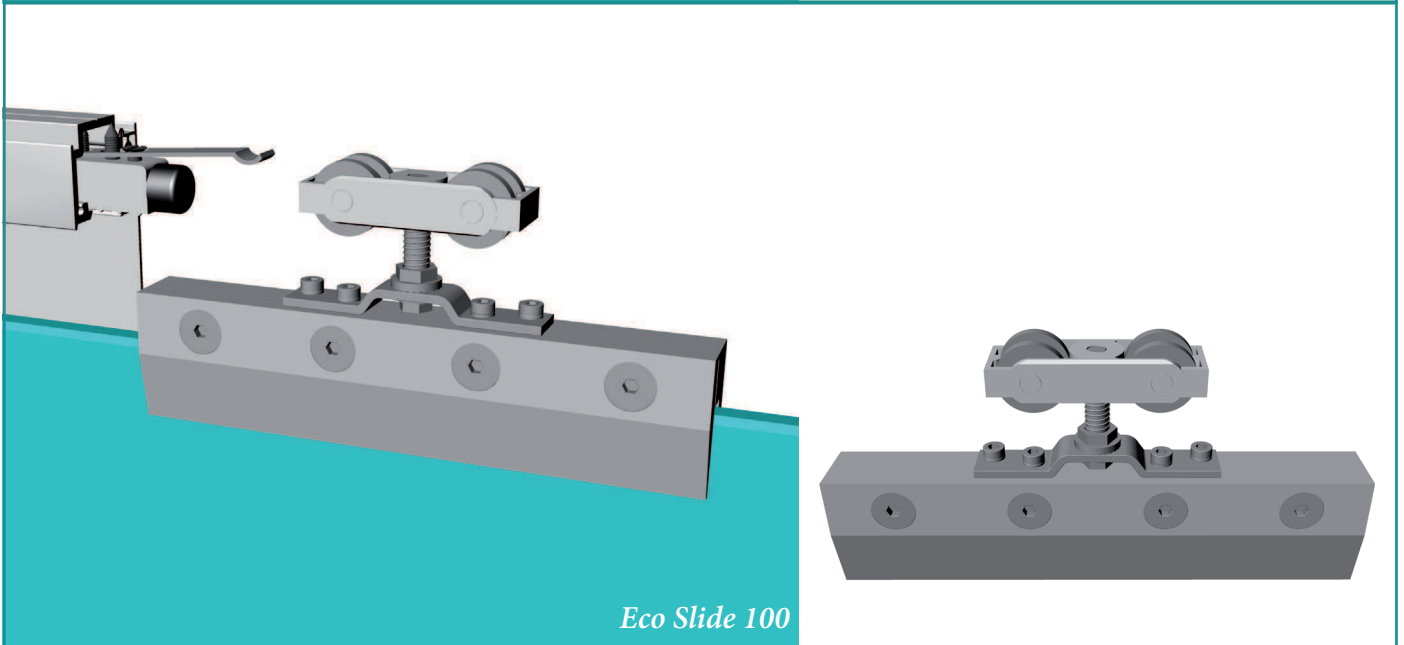
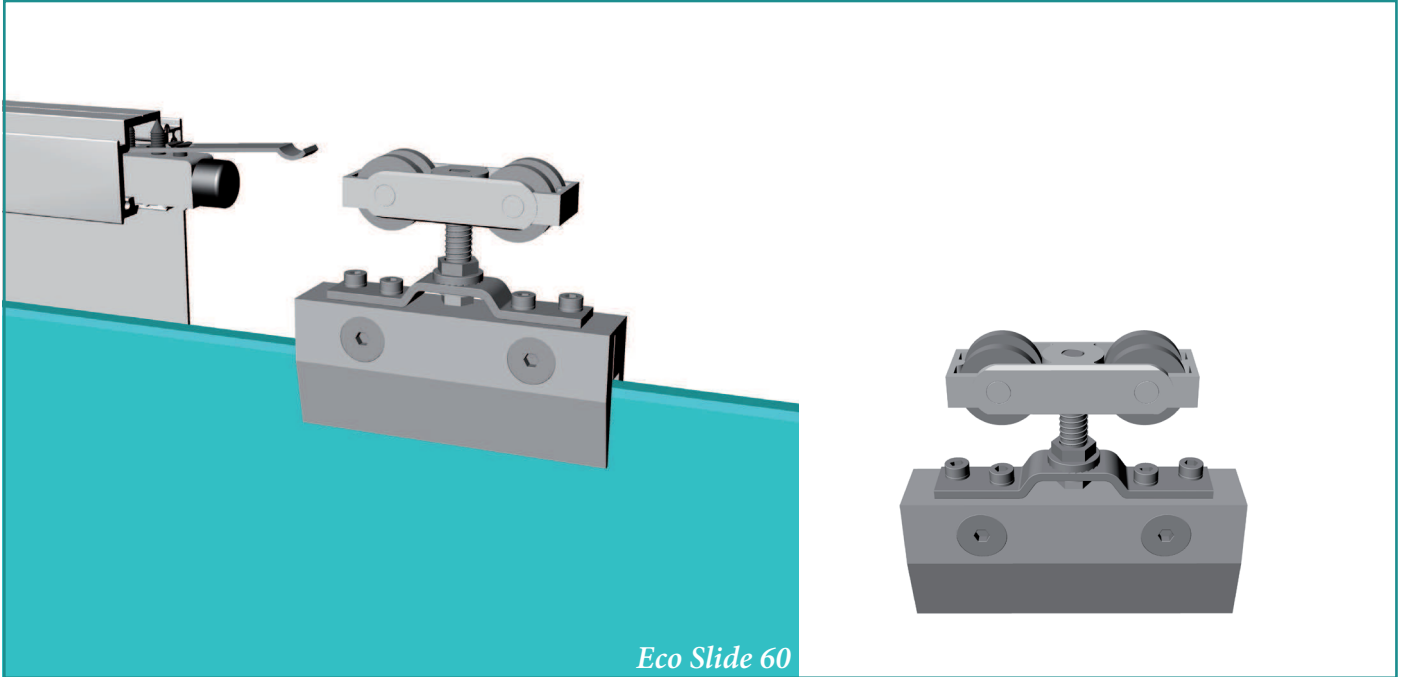
- Eco slide is offers the most competitive solution for light and middle weight glass doors.
- Ideal solution for domestic applications and offices
- Adjustable floor guides and stoppers
- Wall or ceiling fixing
- Add on profile for fixed side panels
- Easy clip on covers

### **Specification**

Max. door weight: 60kg & 100kg

Glass thickness: 8mm, 10mm and 12mm

## Eco Slide 60-100



## Eco Slide 60-100

