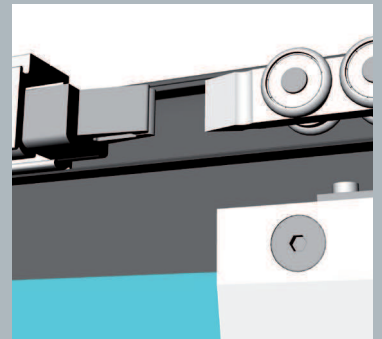




Slide 60-200





Slide 60-200

for top hung glass doors from 60Kg up to 200kg

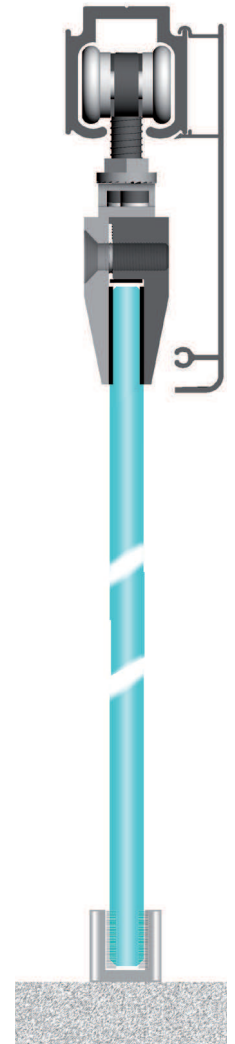
- Slide 60-200 offers the most complete solution on the market with only one size of sliding gear that can accommodate rollers and clamps in 4 different weight categories.
- By changing the size of the clamps and the composition of the rollers the weight capacity can easily be adapted to the size and weight of the doors.
- The wheels have a rounded shape for a very smooth and noiseless operation and the connecting bolts are pivoting and self-centering.
- The best solution for applications in domestic and professional environments.
- Same covers and add-ons as Eco slide.

Specification

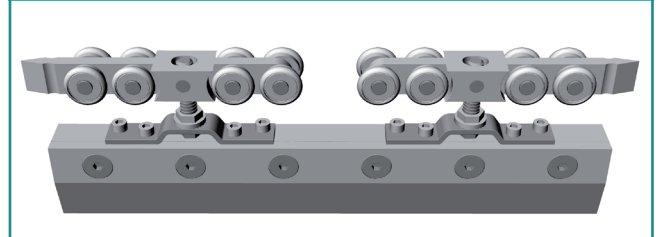
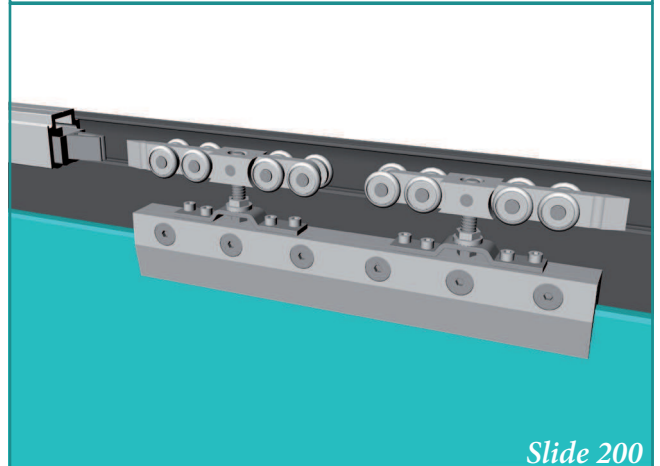
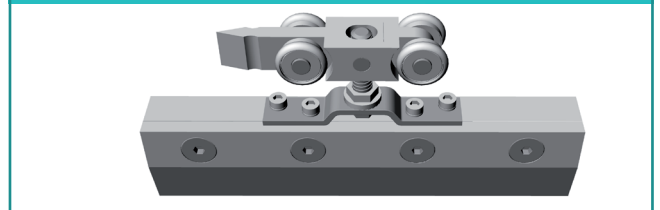
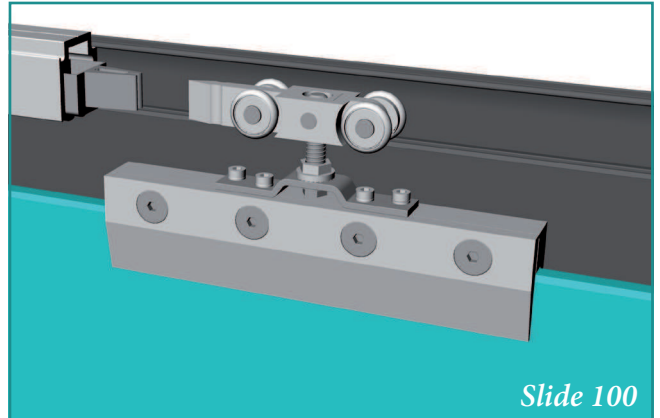
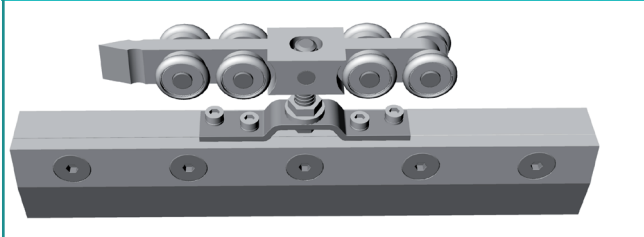
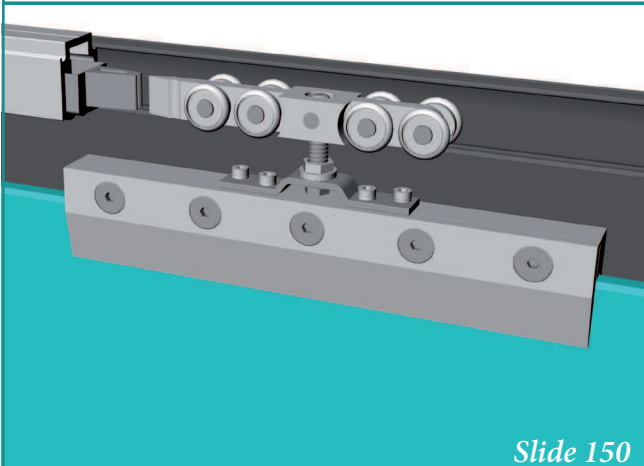
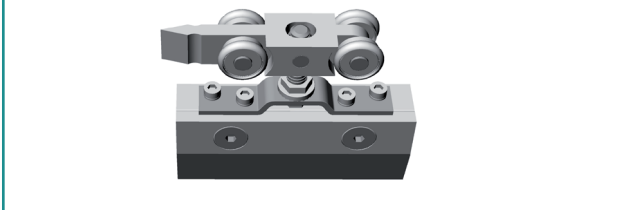
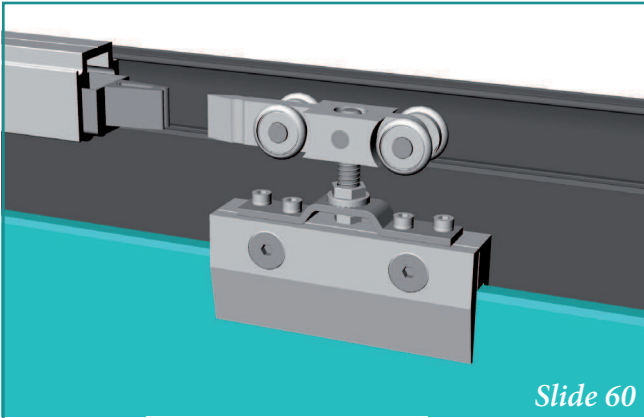
Maximum door weight: 60kg, 100kg, 150kg & 200kg*

Glass thickness: 8mm, 10mm and 12mm

* Dependent on the glass clamp size selected



Slide 60-200



Slide 60-200

