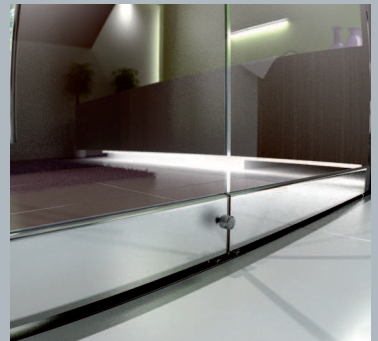
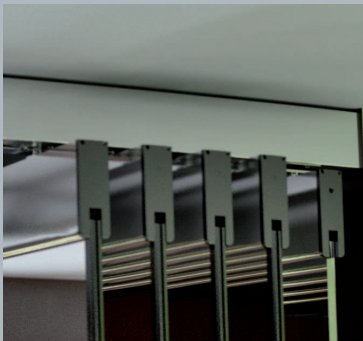




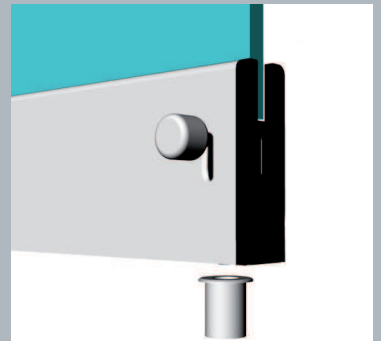
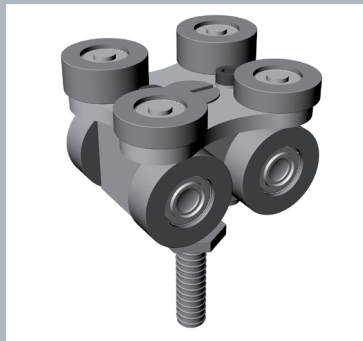
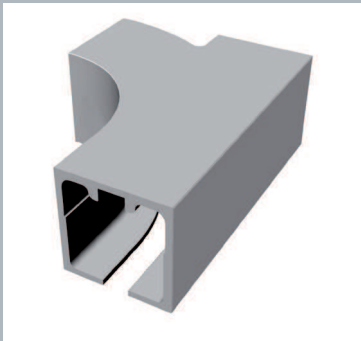
# Stack master









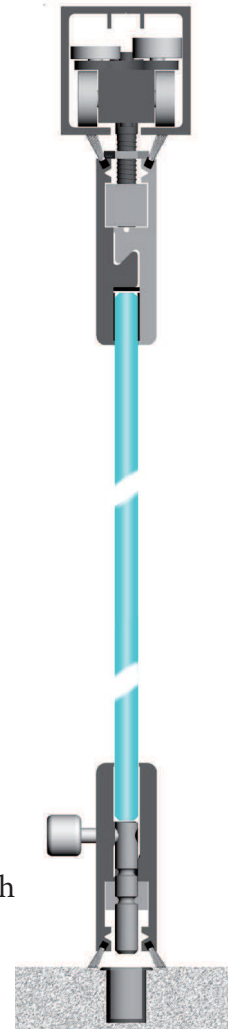




## Stack Master

for top hung glass doors up to 200 kg

- Stack master offers you flexibility, smoothness, draught proofing and has been designed with an eye for details.
- The system offers you the possibility to entirely open your shop front, winter garden, swimming pool, restaurant terrace when the weather is nice and to close it completely in a few minutes time when the weather situation changes or after the opening hours. It is also the right solution to divide meeting rooms and offices
- The rollers move smoothly in the moulded curves that are available in different shapes. Draught profiles are available all around the door, even vertically until the very end of the ABS end caps.
- Special foot operated locks secure the bolts in the floor and at the same time in the next door so that the system is securely closed. The last door under the stacking arrangement is a pivoting door that can be locked with a cylinder.

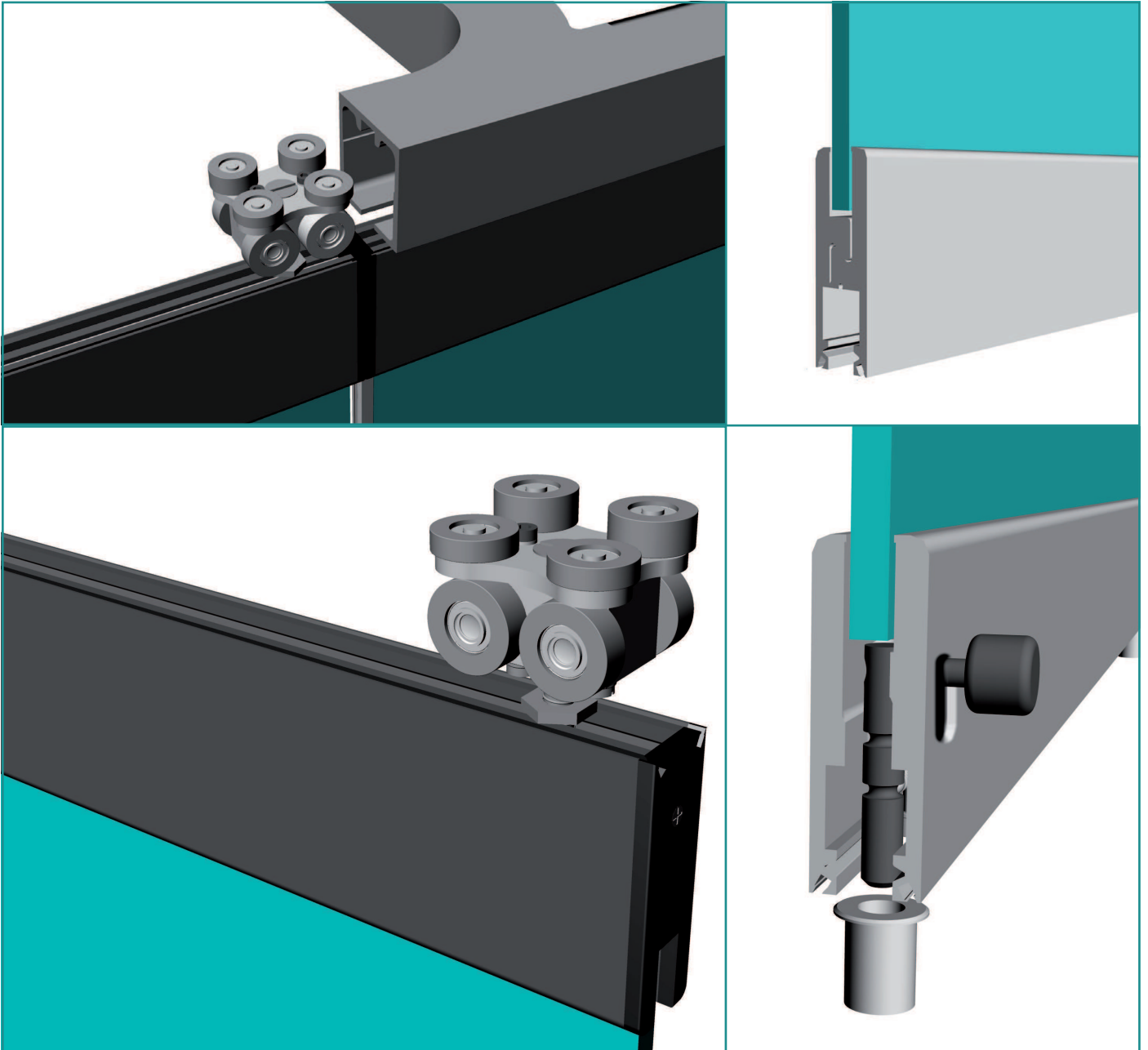


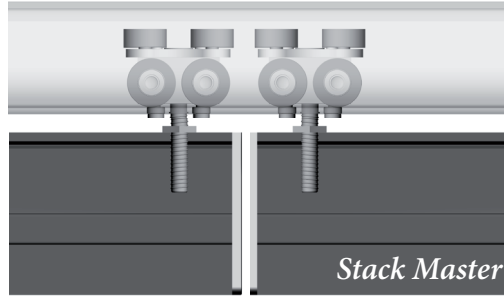
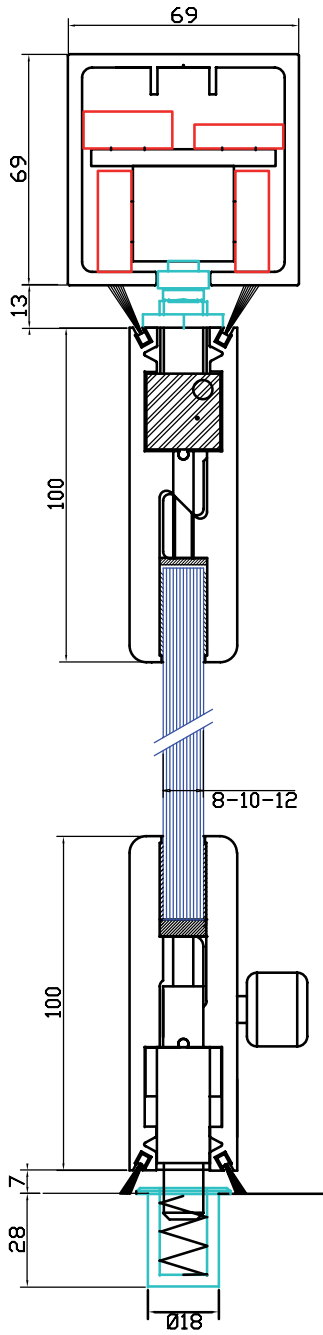
### Specification

Max door weight: 200 Kg

Glass thickness: 10mm and 12 mm

## Stack Master





## Stack Master

